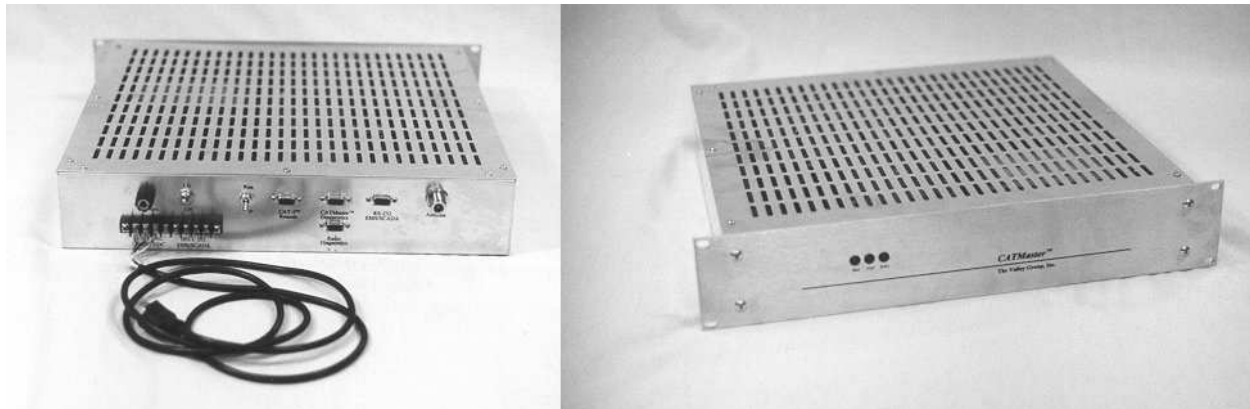


CAT-1™ Transmission Line Monitoring Systems

CATMASTER DATA SHEET



Functional Description

Together with the remote CAT-PAC units, the CATMaster provides the real-time data communications link between your CAT-1 systems and the EMS/SCADA system. Communication to the CAT-PAC's is accomplished via 900 MHz unlicensed spread spectrum radio. Communication of CAT-1 data to the EMS/SCADA system is provided via 4-wire Bell 202 analog modem output or straight RS232.

The CATMaster contains a universal power supply that may be supplied with 85 to 260 Vac or 110 to 340 Vdc.

The RTU card contained within the CATMaster provides protocol translation to facilitate transfer of data from the remote CAT-1 systems and the EMS/SCADA system. A wide variety of protocols are currently available for the CATMaster.

The CATMaster provides convenient diagnostics ports for remote configuration of the CAT-1 systems, radio diagnostics, and local viewing of data point values and system health. Front panel LEDs are provided showing On/Off state, and transmit/receive activity with the EMS/SCADA system.

CAT-1™ Transmission Line Monitoring Systems

Component List:

CATMaster 19" / 483mm rack mount enclosure
900 MHz Spread Spectrum radio
10 dB Yagi antenna (omni-directional antennas available where required)
½" / 12.7mm Heliac antenna cable 100ft / 30.48m (additional cable sizes/lengths available)
Protocol converter
Universal power supply

Specifications:

SCADA communications	Bell 202 compatible and straight RS232 passthrough
Communications protocols	Multiple (for more information, contact The Valley Group, Inc.)
Diagnostics	Radio, Protocol converter ¹ , and remote diagnostics ² via back panel
Software	Radio Diagnostics, PROCOMM Plus
Frequency stability (ppm)	1.5
Network addresses (radio)	65,000
Power output (watt, radio)	0.1 to 1.0
Supply Voltage (Vdc, Vac) (other supply options available on request)	110 to 340, 85 to 260
RTU Addressing	Programmable
Output Signal Strength (db, SCADA communications) -10dB option available	0
Shipping weight (lbs / kg incl. CATMaster, antenna, cable)	23 / 10.4

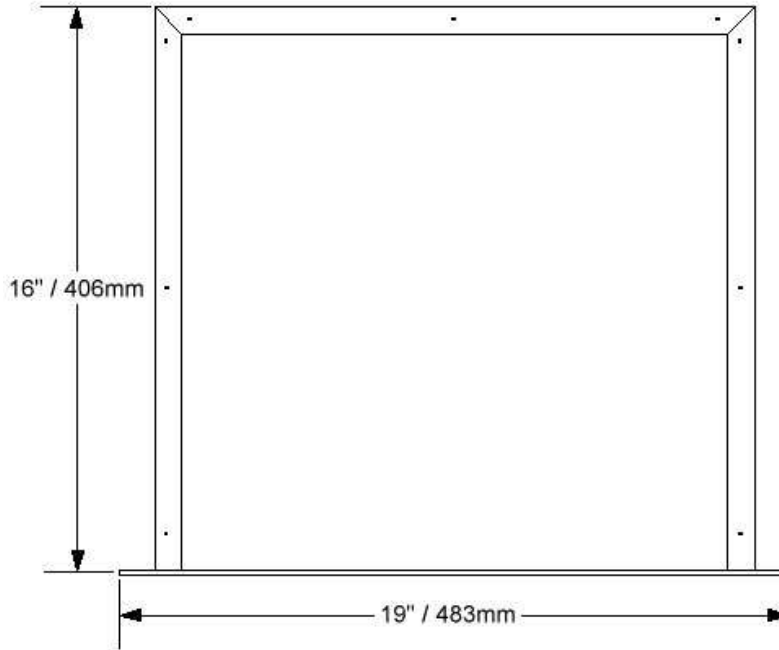
Dimensions:

See reverse

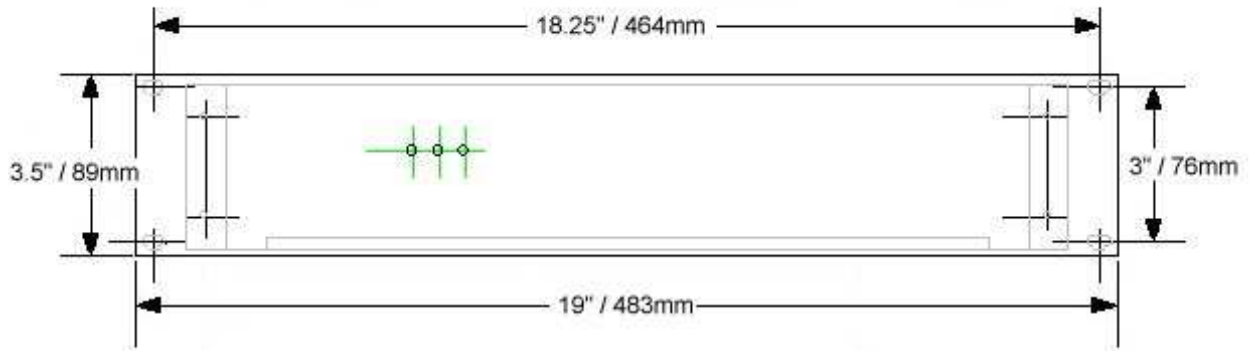
Notes:

1. VT100 emulation at 9600 baud, no parity, 8 data bits, one stop bit
2. VT100 emulation at 1200 baud, no parity, 8 data bits, one stop bit

CATMaster Dimensions



TOP VIEW



FRONT VIEW

The Valley Group a Nexans company

CAT-1™ Transmission Line Monitoring Systems